



## GHANDI

### COUNTER STOOL

20kg | 44lbs



0.36m<sup>3</sup> | 12.7ft<sup>3</sup>

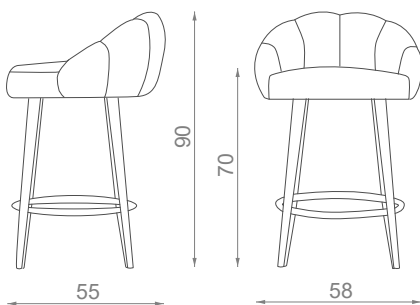


#### MATERIALS / FINISHES

UPHOLSTERY: Velvet  
LEGS: Walnut  
METAL DETAIL: Brushed Brass

#### DIMENSIONS

W: 58cm | 22.8"  
D: 55cm | 21.7"  
H: 90cm | 35.4"  
SH: 70cm | 27.6"



#### PRODUCT FEATURES

Structure in solid wood.  
Foam in 100% PU with BS standard fire specifications.  
Upholstery with upholstery straps.  
Fire retardant interlining is available on request.  
Handmade in Paços de Ferreira.

#### PRODUCT OPTIONS

**UPHOLSTERY**  
Available in all Signature fabrics or in client's own material (COM).

**LEG FINISHES**  
Upholstered, Beech, Ash Wood, Australia, Oak, Ebony, Walnut, Wenge or Lacquered in all RAL colours, in matt or gloss.

**METAL**  
Brass, Nickel, Stainless Steel or Copper, in polished or brushed.

**FINISHES AVAILABLE ON REQUEST**  
Legs: Gold, Silver or Copper leaf.

#### CLIENT'S OWN MATERIAL (COM) REQUIREMENTS

**FABRIC**  
1.50m | 59.1"  
standard with 1.40m | 55.1"