



HALLE

CHAIR

15Kg | 33lbs

0.33m³ | 11.7ft³

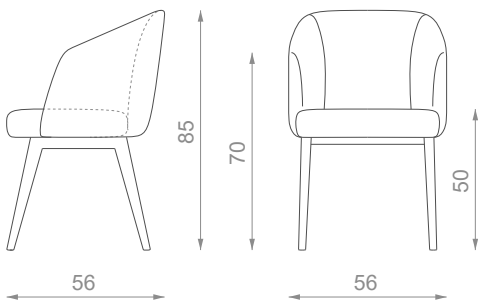


MATERIALS / FINISHES

UPHOLSTERY: Textured Fabric
LEGS: Black Stained Oak

DIMENSIONS

W: 56cm | 22.1"
D: 56cm | 22.1"
H: 85cm | 33.5"
SH: 50cm | 19.7"
AH: 70cm | 27.6"



PRODUCT FEATURES

Structure in solid wood.
Foam in 100% PU with BS standard fire specifications.
Upholstery with upholstery straps.
Fire retardant interlining is available on request.
Handmade in Paços de Ferreira.

PRODUCT OPTIONS

UPHOLSTERY

Available in all Signature fabrics or in client's own material (COM).

LEG FINISHES

Upholstered, Beech, Ash wood, Australia, Oak, Ebony, Walnut, Wenge or Lacquered in all RAL colours, in matt or gloss.

METAL CAPS

Brass, Nickel, Stainless Steel or Copper in polished or brushed.

FINISHES AVAILABLE ON REQUEST

Legs: Gold, Silver or Copper leaf.

PACKING INFO FOR 2 UNITS

V: 48m³ | 17.0ft³ Kg: 30Kg | 66lbs

CLIENT'S OWN MATERIAL (COM) REQUIREMENTS

FABRIC

2.20m | 86.6"
standard with 1.40 m | 55.1"