



NERUDA

COUNTER STOOL

20Kg | 44lbs



0.14m³ | 4.9ft³

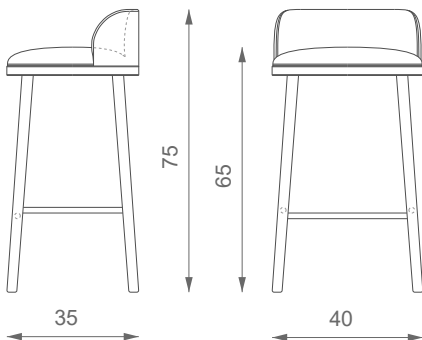


MATERIALS / FINISHES

UPHOLSTERY: Leather
LEGS: Dark Oak

DIMENSIONS

W: 40cm | 15.8"
D: 35cm | 13.8"
H: 75cm | 29.5"
SH: 65cm | 25.6"



PRODUCT FEATURES

Structure in solid wood.
Foam in 100% PU with BS standard fire specifications.
Upholstery with upholstery straps.
Fire retardant interlining is available on request.
Handmade in Paços de Ferreira.

PRODUCT OPTIONS

UPHOLSTERY
Available in all Signature fabrics or in client's own material (COM).

LEG FINISHES
Upholstered, Beech, Ash wood, Australia, Oak, Ebony, Walnut, Wenge or Lacquered in all RAL colours, in matt or gloss.

METAL CAPS
Brass, Nickel, Stainless Steel or Copper, in polished or brushed.

FINISHES AVAILABLE ON REQUEST
Legs: Gold, Silver or Copper leaf.

CLIENT'S OWN MATERIAL (COM) REQUIREMENTS

FABRIC
1.00m | 39.4"
standard with 1.40 m | 55.1"